



Model: TC482S

Soft Serve Freezer Twin Twist, Table Top Dual Control System



Offer all the popular soft serve variations from low or non-fat ice creams to custards, yogurt and sorbet.



Pre-cooling System

Dual pre-cooling in both freezing cylinders (two, 2.0 liter) and hoppers (two, 14.0 liter).



Standby/Overnight

During long no-use periods, the standby feature maintains safe product temperatures in the mix hopper and freezing cylinder.



Agitator/Hopper Mixer

Agitator function in hopper keeps mix from separation over time.



Indicator Lights

The Mix Low light alerts the operator to add mix.



Counter Function

The numbers on display board shows the dispensed quantity everyday.



Hardness Adjustable

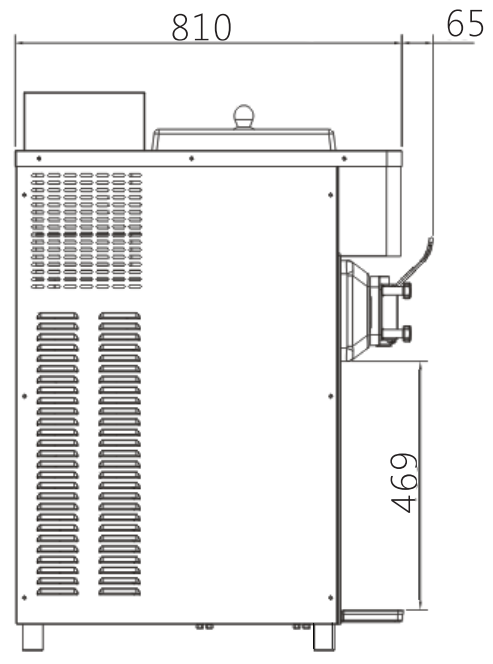
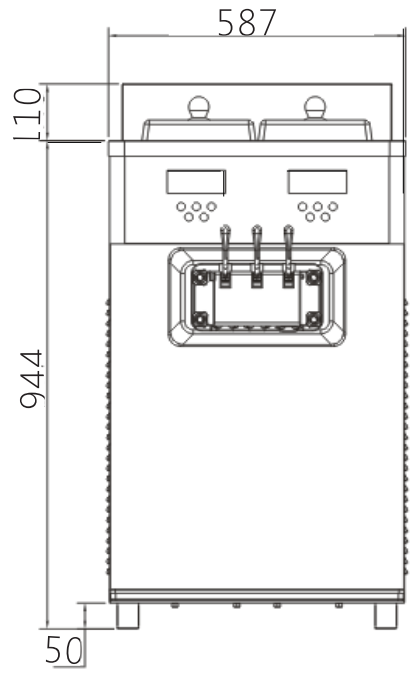
Hardness is adjustable according to different kinds of mix.



Shenzhen Taycool Refrigeration Tech Co.,Ltd.
Add 7/BLDG,Datong Industry Park, Louming Rd.
Guangming New Industry District, Shenzhen, China.
Tel: +86 27116370 info@frozenyogurt.org.cn
Fax: +86 27187851 www.icecream-taycool.com

100% 
DESIGNED
BY ITALY

TC482S Soft Serve Freezer










Weights	kgs.
Net	190
Crated	210
Volume	cu.m.
Volume	0.50

Dimensions	mm.
Width	587
Depth	810
Height	1054

Power Supply	
Phase	1~
Volt	220V
Hertz	50/60
Power	3500

For exact electrical information, always refer to the data label of the unit.

Selling Point

-  Low Noise Tech
50dB
-  Keep Fresh Tech
-  Frequency Converter Tech
-  Defrost Tech
-  Higher Efficient Refrigeration Tech
-  Low-energy-consuming Tech
-  Perfect Continuity of Dispensing Tech



www.taycoolvietnam.com
www.icecream-taycool.com

